

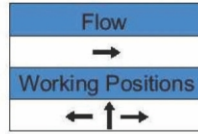
# MODEL : DD-205 [ Double Door Check Valve ]



Connection : Wafer JIS 10K, ANSI 150, PN 16

**VTV VALVE**, serving Multi-National end users in a wide range of applications in many industries including:

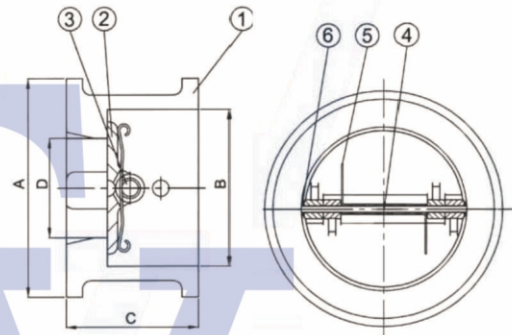
1. Palm Oil and Refinery Plant
2. Food Industries
3. Petrochemical Plant
4. Cooling System



- ◆ **Suitable for :**
  1. Water
  2. Oil
  3. Gases

### ◆ MATERIAL LIST

NO.	PART NAME	MATERIAL				
1	Body	A126B	WCB	CF8	CF8M	CF3M
2	Plates	CF8	CF8	CF8	CF8	CF3M
3	Hinge Pin	SS304	SS304	SS304	SS316	SUS316L
4	Seat	Viton	Viton	Viton	Viton	Viton
5	Spring	SUS304	SUS304	SUS304	SUS316	SUS316
6	Washer	SUS304	SUS304	SUS304	SUS316	SUS316



### ◆ DIMENSIONS

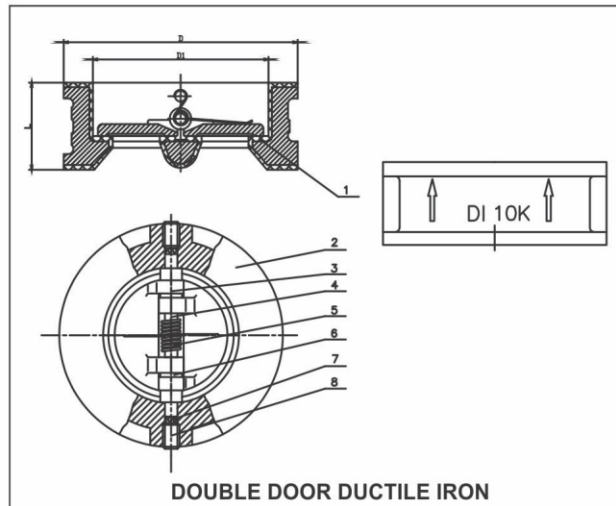
Mark	Size																		
	2"	2-1/2"	3"	4"	5"	6"	8"	10"	12"	14"	16"	18"	20"	24"	26"	28"	30"	32"	36"
<b>A</b>	103	123	134	173	190	219	270	332	403	448	513	538	593	637	720	770	815	870	980
<b>B</b>	70	80	90	115	140	170	225	280	323	358	435	485	530	630	630	730	780	830	900
<b>C</b>	60	67	73	73	83	98	127	146	181	184	191	203	219	222	222	280	305	356	368
<b>D</b>	45	52	68	90	110	135	186	240	275	295	360	400	450	550	550	650	700	750	850
<b>Weight (Kg)</b>	3	5	7	9	14	16	26	48	78	90	120	182	202	255	324				

### ◆ MATERIAL LIST DUCTILE IRON (mm)

NO.	PART NAME	MATERIAL
1	Seat	EPDM
2	Body	D.I + Fully Lined EPDM
3	Disc	CF8
4	Stem	SS416
5	Spring	SS304
6	Shim	PTFE
7	Seal	EPDM
8	Plug	WCB

### ◆ DIMENSIONS DUCTILE IRON (mm)

<b>DN</b>	50	65	80	10	125	150
<b>D</b>	101	121	131	156	187	217
<b>D1</b>	65	78	94	114	143	167
<b>L</b>	46	51	70	70	78	82
<b>Weight (Kg)</b>	1.5	2	3	4.3	5.8	7.5



DOUBLE DOOR DUCTILE IRON

Specification is subject to change without prior notice